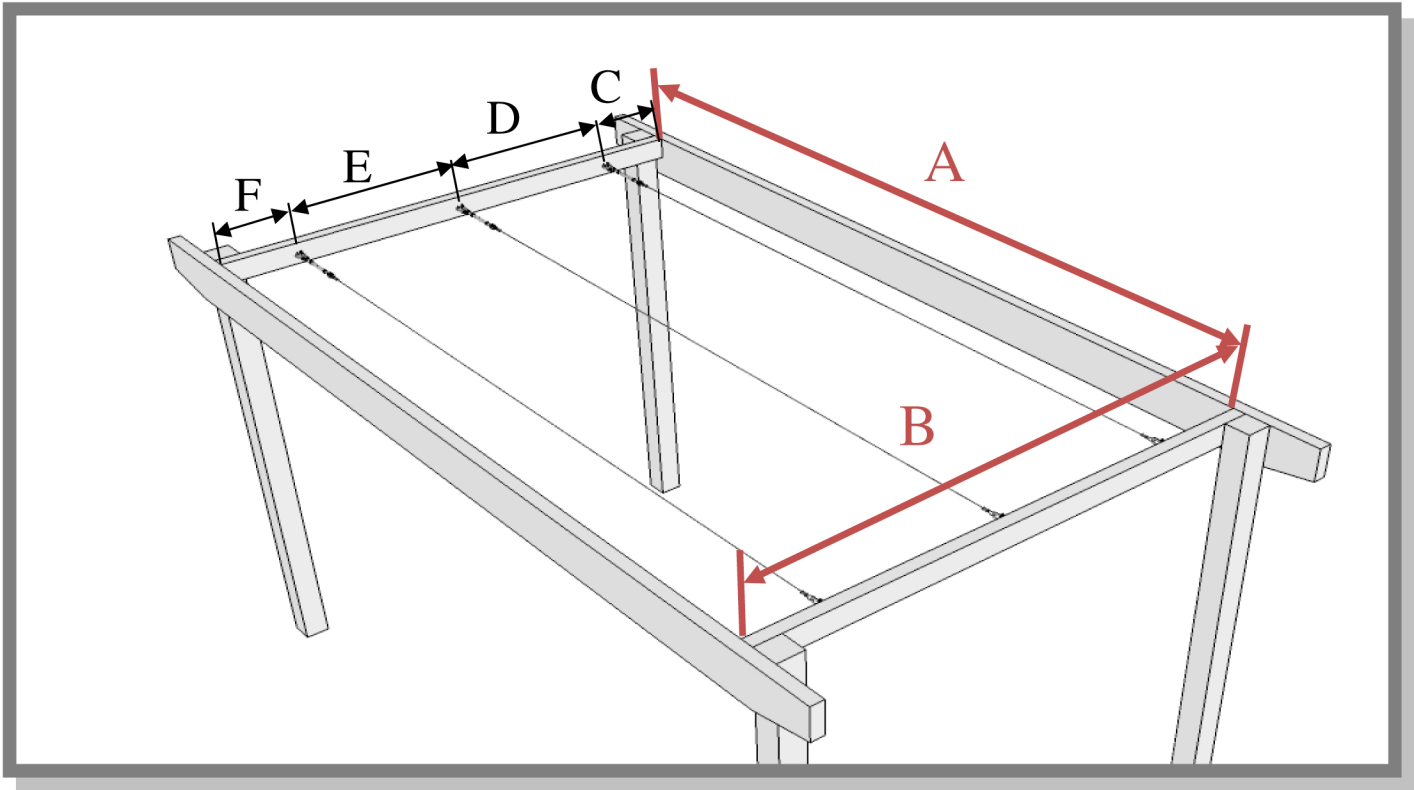


ROMAN SHADES - ORDER FORM

Name: _____ Fabric: _____

Delivery Address: _____ Colour: _____

_____ Phone/Email: _____



A	C	<i>(Recommended 10% of width)</i>
	D	<i>(Recommended 40% of width)</i>
B	E	<i>(Recommended 40% of width)</i>
	F	<i>(Recommended 10% of width)</i>

<input type="checkbox"/>	I understand that the wire spacing will be determined using the recommended percentages (unless specified)
<input type="checkbox"/>	I have measured to the limits of the area the shade is to cover (not to the wire fixing points)
<input type="checkbox"/>	I understand the spacing between the aluminium battens is determined by the manufacturer. (unless specified –additional charges may apply)

Notes: